

4

3

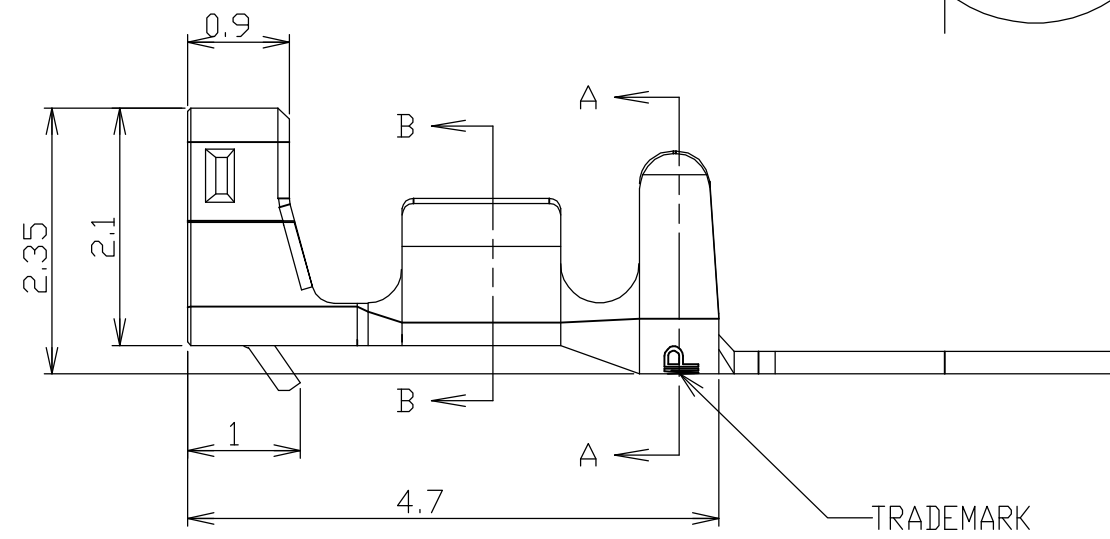
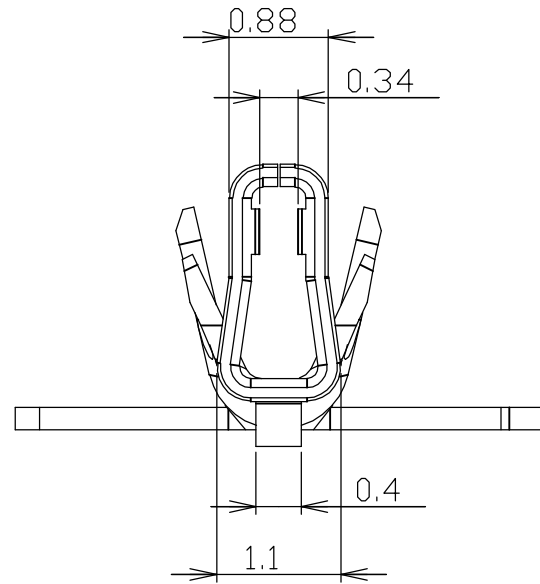
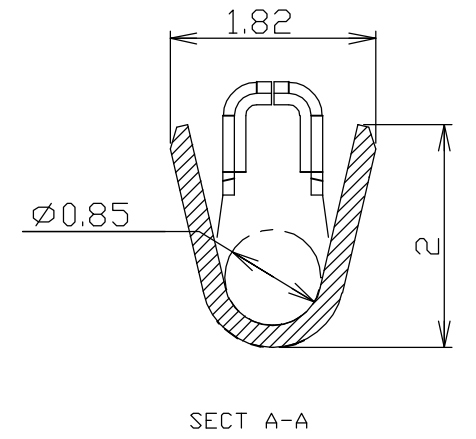
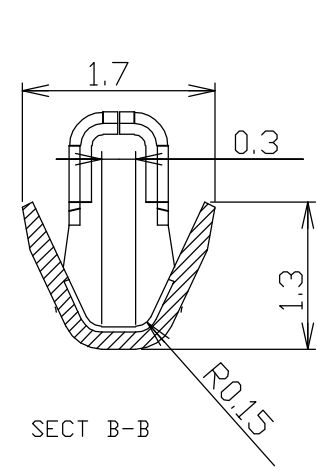
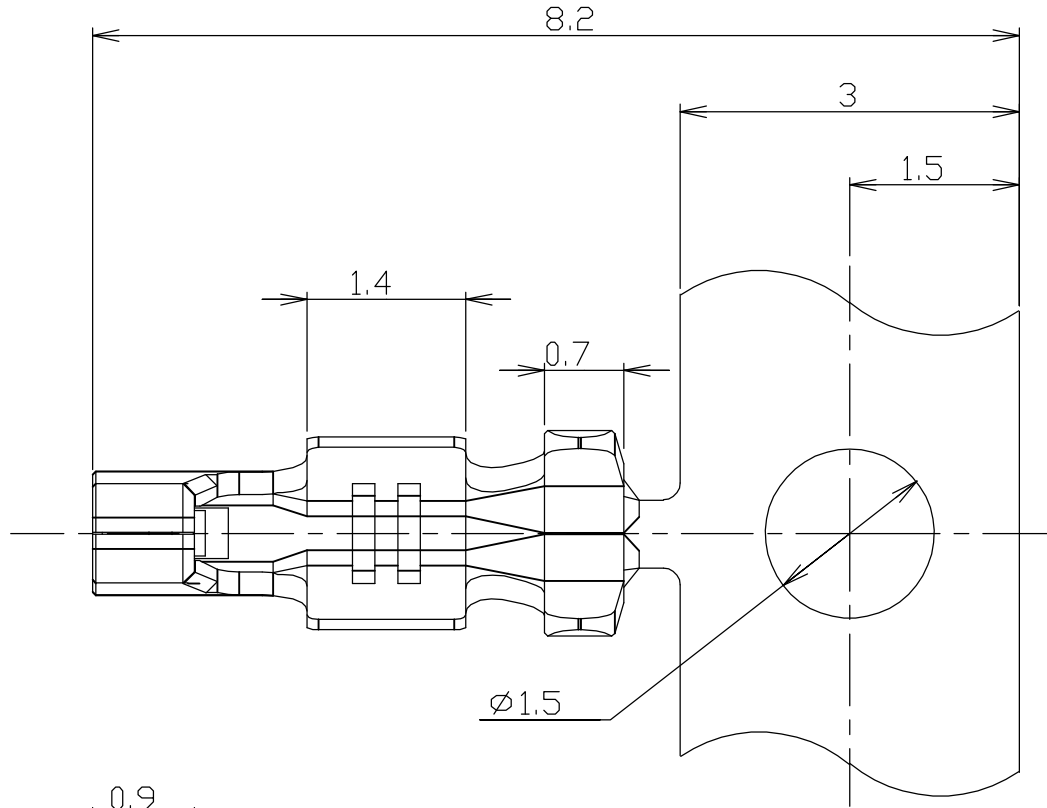
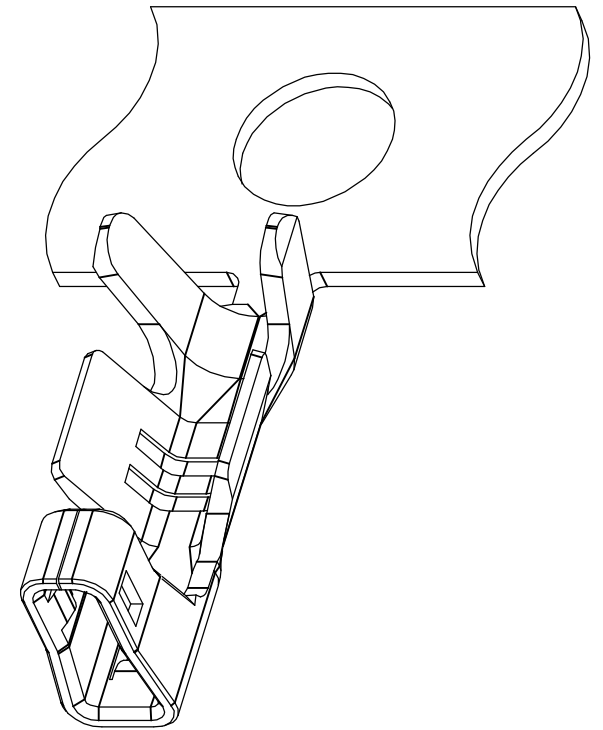
2

1

THIS DRAWING IS UNPUBLISHED. RELEASED FOR PUBLICATION
© COPYRIGHT BY TYCO ELECTRONICS CORPORATION. ALL RIGHTS RESERVED.

LOC ES DIST 00

REVISIONS		DATE	DWN	APVD
P	LTR	DESCRIPTION		
C		REVISED ECR-05-014650	02NOV05	C.Z S.Y



NOTES:
 1. LOOSE PIECE CONTACT P/N:353918-1
 2. USE WITH HOUSING P/N:X-353908-X

353907-1 AS SHOWN

TRADEMARK

GENERAL TOLERANCE

10 ≥	±0.2
30 ≥ > 10	±0.25
100 ≥ > 30	±0.3
ANGLES: ±3°	

THIS DRAWING IS A CONTROLLED DOCUMENT.

DIMENSIONS: mm	TOLERANCES UNLESS OTHERWISE SPECIFIED:
	0 PLC ±-
	1 PLC ±-
	2 PLC ±-
	3 PLC ±-
	4 PLC ±-
	ANGLES ±-
MATERIAL PHOS-BRONZE, 0.2mm THK	FINISH PRE-TIN

WIRE RANGE 0.22mm ² ~ 0.08mm ² (AWG#24~AWG#28)		INSULATION DIA Ø1.05~Ø0.85	
DWN H.HOSHINO 26.APR'97	Tyco Electronics Corporation shanghai cn		
CHK J.TANIGAWA 26.APR'97	AMP MINI COMMON TERMINATED (CT) CONNECTOR 1.5mm PITCH RECEPTACLE CONTACT(AWG#24~#28), CRIMP TYPE		
APVD WL CHOO	NAME	SIZE	RESTRICTED TO
PRODUCT SPEC 108-60025	AMP MINI COMMON TERMINATED (CT)		
APPLICATION SPEC 114-5245	CAGE CODE A3 00779	DRAWING NO C-353907	RESTRICTED TO
WEIGHT 0.02g/ea	SCALE NON	SHEET 1 OF 1	REV C
CUSTOMER DRAWING			